

# PM Gentle Plus

Pneumatic Manipulators with Double Rope System



**PM Gentle Plus Double Rope Manipulators** are designed for **ergonomic, safe, and efficient material handling** in industrial environments. The load is guided to the balancing unit via **two independent steel ropes**, enabling a **weightless working experience**.

**Maximum Safety** – Two independent steel ropes with separate braking systems

**Weightless Operation** – Near-zero effort required from the operator

**Precise Positioning** – Articulated arm with Double Rope guidance for full range of motion

**Drift Control** – Special brakes ensure secure and stable load control

**Flexible Mounting** – Can be installed on floor, ceiling, or rail systems

**Gripper Options** – Standard hook or custom gripper solutions

Operates with dry, filtered (40µm), oil-free compressed air at min. 0.7/0.8 MPa

Max. load capacity: **300 kg**, max. working radius: **4.500 mm**, vertical stroke: **2.000 mm**

Air consumption per cycle: **50-150 NI**

# Mounting Options

## Gentle Plus Column Mounted GPY



## Gentle Plus Overhead Mounted GPT



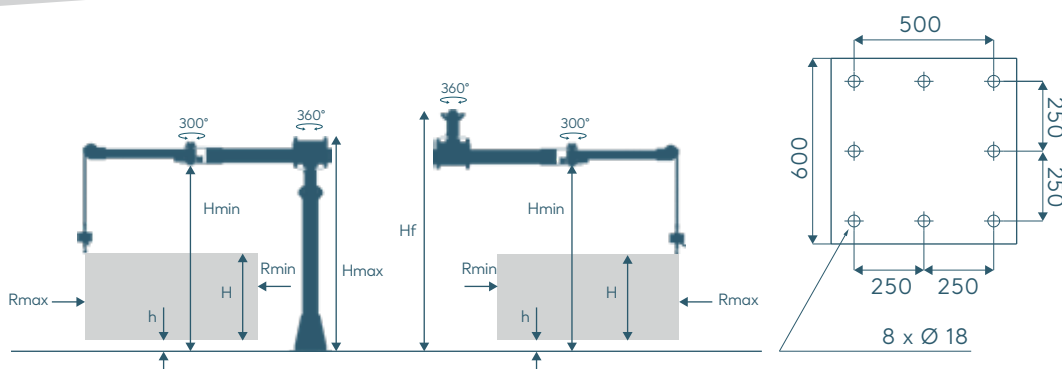
## Gentle Plus Overhead Rail-Mounted GPTA



Maximum Load Capacity [kg]		300	250	200	150
Max. Working Radius [mm]	Rmax	3000	3500	4000	4500
Min. Working Radius [mm]	Rmin	915	1040	1170	1300
Vertical Stroke [mm]	H	2000	2000	2000	2000
Min. Pick-up Height [mm]	*h	200	200	200	200
Max. Manipulator Height [mm]	*Hmax	3570	3570	3570	3570
Max. Ceiling Mounting Height [mm]	*Hf	3750	3750	3750	3750
Lower Edge of Main Body [mm]	*Hmin	2880	2880	2880	2880

\* Dimensions may vary depending on customer-specific requirements.

Base Plate Dimensions [mm]



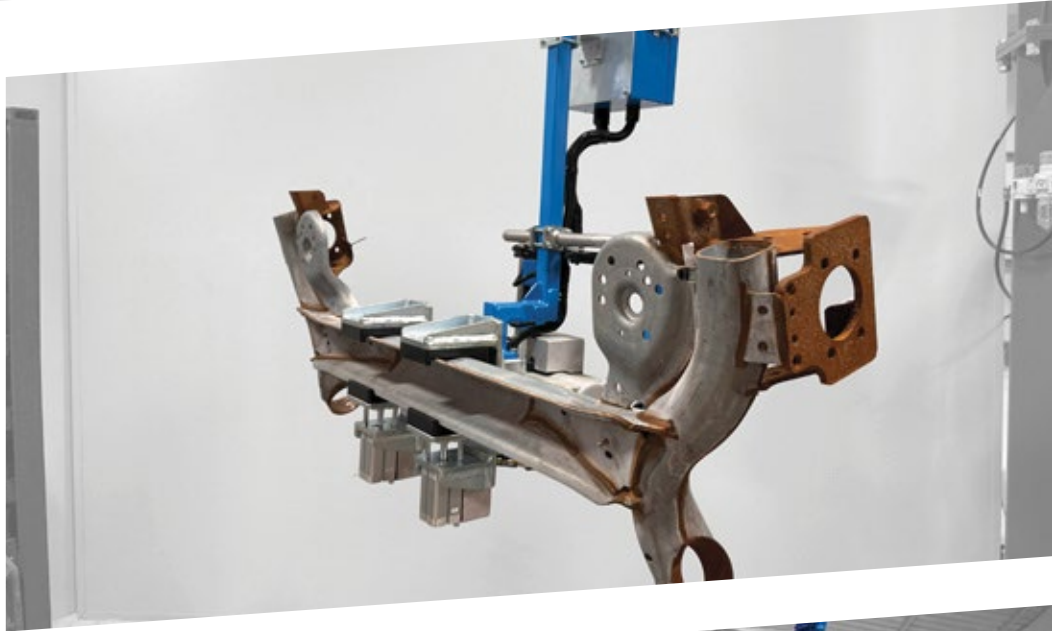
## Tailor-made solutions

No matter what kind of load you need to handle with a BPM manipulator – we develop the right custom gripper for every application.

To ensure ergonomic, safe, and efficient material flow, we manufacture **tailor-made gripping tools and custom constructions** precisely adapted to your requirements.

Whether **vacuum-based, pneumatic, or magnetic**, we engineer solutions that allow you to handle your loads **safely and effortlessly**.





Visit our YouTube channel to see all our applications.

